

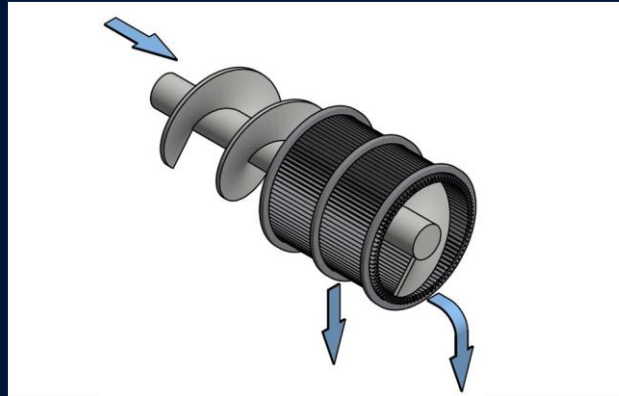


**HEIN | LEHMANN**

# **WEDGE WIRE**

**SCREEN CYLINDERS FOR SCREW  
PRESSES**

# SCREEN CYLINDERS FOR SCREW PRESSES



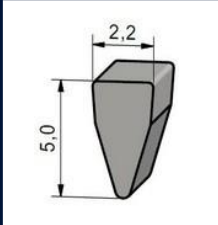
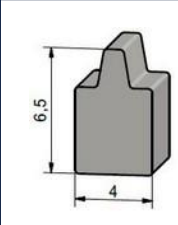
Our screw screen cylinders are used in many different applications. Screw presses are the solution for sludge, liquid manure, or fermentation residue dewatering.

They also serve energy production in the area of renewable energies (biogas facilities), the recycling and paper industries, or in the food industry, e.g. in edible oil production.

High demands and strong abrasion challenge the screen cylinder.

Our wedge wire recommendation:



	Wedge	Support
	34 Sbb	Q 50 / 6,5
		
Material	1.4301, 1.4373	1.4301

# SCREEN CYLINDERS FOR SCREW PRESSES

WE CAN PRODUCE DIFFERENT PITCHES DEPENDING ON LOAD:

