



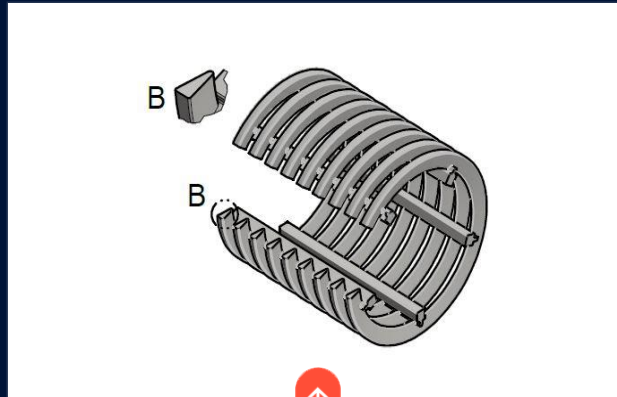
HEIN | LEHMANN

# CORIMA

EXAMPLE DESIGNS

# WEDGE WIRE SCREEN CYLINDERS

...FOR FILTERING FROM THE OUTSIDE IN



- Axial slot direction
- Screen area on the outside

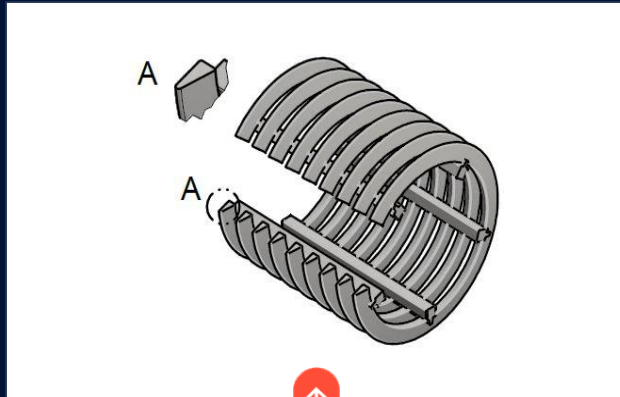
- Radial slot direction
- Screen area on the outside



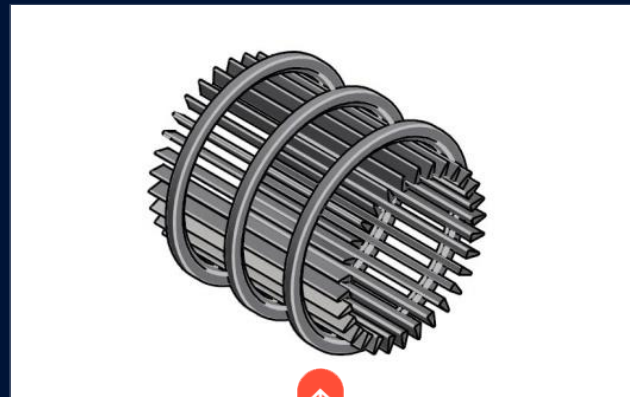


# WEDGE WIRE SCREEN CYLINDERS

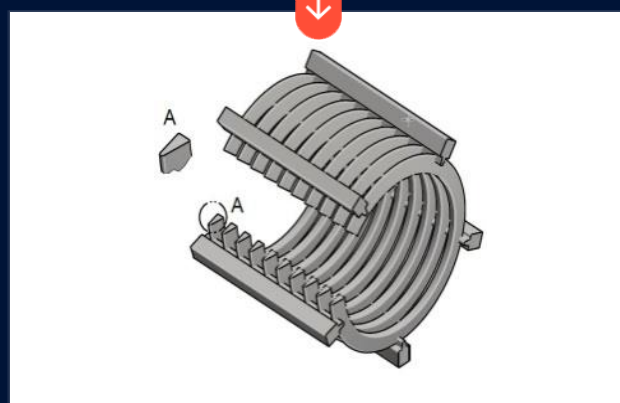
...FOR FILTERING FROM THE INSIDE OUT



- Radial slot direction
- Slot direction on the inside



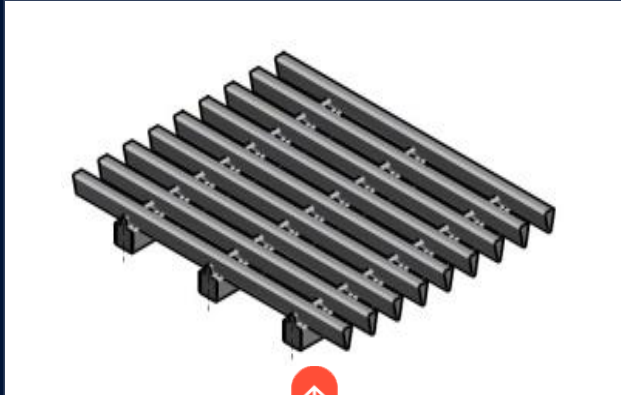
- Radial slot direction
- Slot direction on the inside



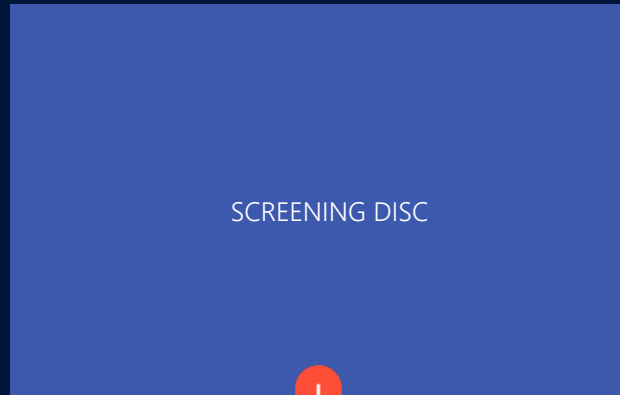
- Axial slot direction
- Slot direction on the inside



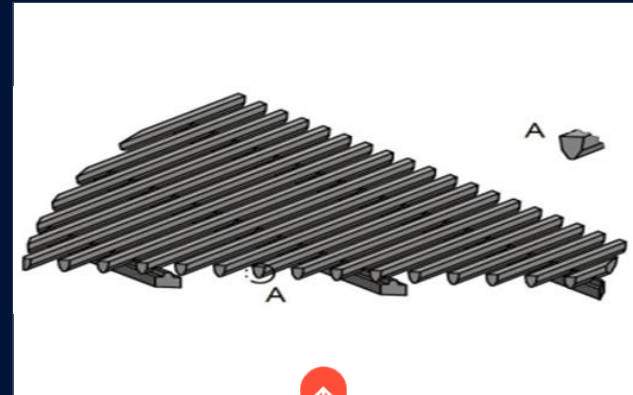
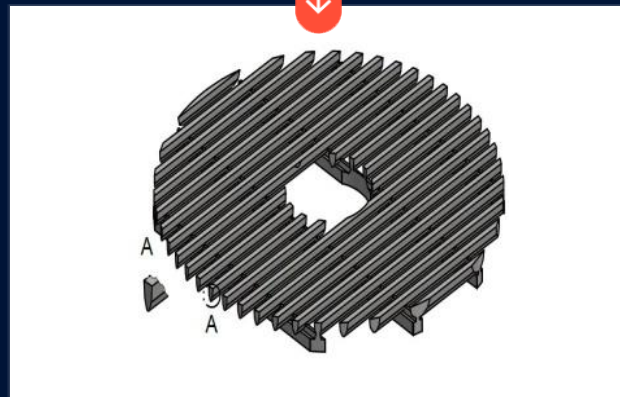
# FLAT SCREENS



RECTANGULAR WELDED WEDGE WIRE SCREEN



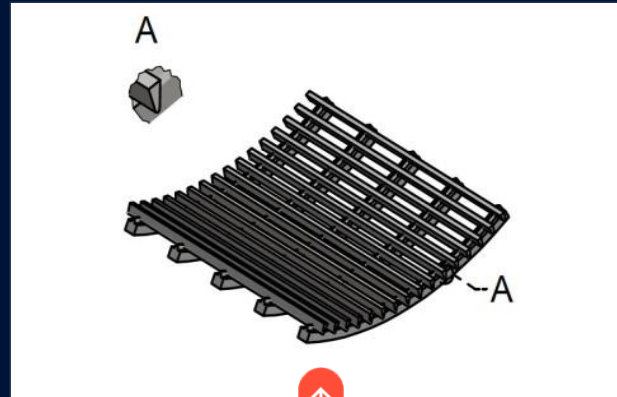
SCREENING DISC



SEGMENT FOR A ROUND SCREEN FLOOR

# CURVED SCREENS

...FOR FILTERING FROM THE INSIDE OUT



- Radial slot direction
- Slot direction on the inside

- Axial slot direction
- Slot direction on the inside

